

ONE PIECE TRANSPORT REFRIGERATION UNIT FOR SMALL TO MEDIUM SIZED TRUCKS

KOOLVAN

660i/760i/860i



INTELLIGENCE RUNS KOOL

With Koolvan Transfrig offers a highly flexible range of one piece direct drive transport refrigeration units for small to medium sized trucks, off engine drive with or without electric standby.

The INTELLIGENT LOGIC CONTROLLER (ILC) ensures improved control, temperature management and operation.

Customers profit from a fast access of diagnostics, easy to download via USB.

TRANSFRIG.CO.ZA



TRANSFRIG
a Valeo brand

KOOLVAN 660i/760i/860i

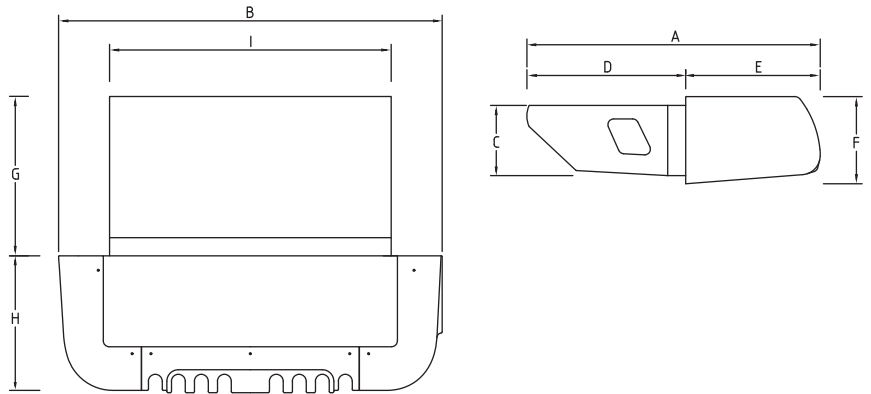
FEATURES

ADVANTAGES

- Evaporator with constant and high airflow
- Powerful semi-hermetic compressor, electric standby options
- Available in 3 phase 380V for all models and 1 phase 220V for the KV660 model only
- Simple in-cab control, increased ease of operation
- Available in R134a and R404A, ozone friendly refrigerant
- Robust design and quality components, designed for tough operating conditions

Dimensions in mm

	KV 660i	KV 760i	KV 860i
A	1244	1270	1270
B	1360	1660	1660
C	305	305	305
D	659	690	690
E	585	585	585
F	379	379	379
G	659	690	690
H	585	585	585
I	760	1224	1224



TECHNICAL DATA

			KV 660i	KV 760i	KV 860i
Cooling Capacity @30°C ambient (W) R404A	Road	0°C	3700	4200	4700
		-20°C	2200	2800	3100
	Electric	0°C	3700	4200	4700
		-20°C	2200	2800	3100
Air Volume Flow (m³/h)			2000	3000	3900
Weight (kg)	Road only		99	105	115
	electric standby		145	165	175
Road Compressor			TM16	TM16	TM21
Semi-hermetic standby compressor	Type		B1,5-9Y	D3-16Y	D3-16Y
	Power (kW)	380V 3Ph	3,3	5,4	5,4
		220V 1Ph	3,3		
	Current consumption (A)	380V 3Ph	7,1	9,9	9,9
	220V 1Ph	10,2			