

# MT DIESEL ELECTRIC

210i/310i/460i/660i



## THE E-VALVE ENHANCES PERFORMANCE

Due to a new electronic expansion valve the Diesel Electric MT line improves efficiency, cares for faster pull-down and ensures accurate temperature control.

Available in four different capacity models the MT Diesel Electric line covers all the requirements for the distribution of all perishable goods. Taking into consideration ambient temperature, body insulation and the number of door openings. An MT unit is suited to cater for your requirements.

Reduced fuel consumption, lower service costs and downtime ensures high operational reliability and overall cost effectiveness.

# MT 210i/310i/460i/660i - Diesel Electric

## FEATURES

### ADVANTAGES

- Fast pull down and precise temperature control due to new electronic expansion valve
- Improved controls with new PLC, with built in safety features
- Easily available downloadable diagnostics via USB through the Intelligent Logic Controller
- Robust design and quality components, designed for tough operating conditions.
- Easy bulkhead installation & layout, providing ease of access for optimized maintenance time

### STANDARD FEATURES

- Multi temperature systems available throughout the range
- Thermostatically controlled fan, multi temperature systems on request
- Standalone diesel engine and electric standby motor
- Auto phase detection and correction
- Simple in-cab control panel, increased ease of operation

### Installation Kit Includes:

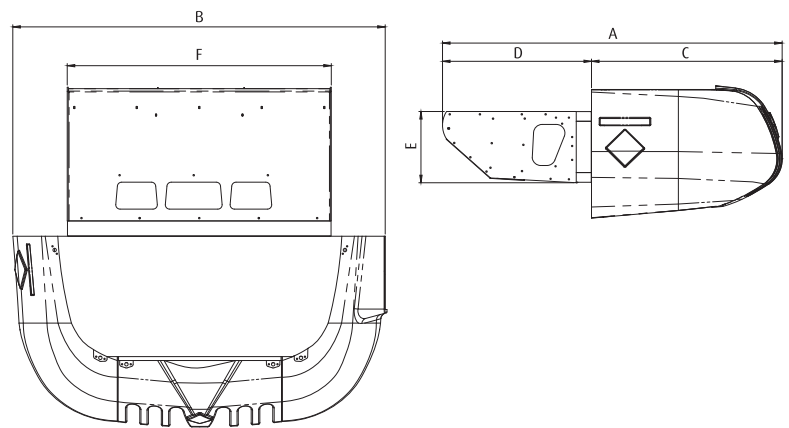
- Installation KIT with fixing bolts
- Electric connection KIT
- Fuel pump KIT
- Cab controls

### Optional Extras

- Door switches
- Refrigerant R134a (for positive temperature only)
- Telematics

Dimensions in mm

	MT 210i	MT310i	MT460i	MT660i
<b>A</b>	1550	1580	1585	1660
<b>B</b>	1728	1728	1728	1903
<b>C</b>	890	890	890	964
<b>D</b>	660	690	692	692
<b>E</b>	305	305	330	330
<b>F</b>	760	1224	1224	1339



## TECHNICAL DATA

			MT 210i	MT 310i	MT 460i	MT 660i
<b>Cooling Capacity @30°C ambient (W) R404A</b>	<b>Diesel</b>	0°C	3600	5000	7900	10500
		-20°C	2100	3000	4500	6300
	<b>Electric</b>	0°C	3600	5000	7900	10500
		-20°C	2100	3000	4500	6300
<b>Air Volume Flow (m³/h)</b>			2000	3000	3300	3900
<b>Aperture Dimensions (mm)</b>	<b>Width</b>		780	1250	1250	1420
	<b>Height</b>		325	325	350	350
<b>Weight (kg)</b>			306	346	390	564
<b>Compressor</b>	<b>Type</b>		FK 20/170	FK 30/235	FK 30/235	FK 40/390
	<b>Cylinders</b>		2	2	2	4
	<b>Displacement (cm³)</b>		170	235	235	390
<b>Diesel Engine</b>	<b>Type</b>		Kubota	Kubota	Kubota	Kubota
	<b>Cylinders</b>		2	2	3	3
	<b>Displacement (cm³)</b>		482	482	722	1005
<b>Electric Motor</b>	<b>Power (kW)</b>	380V 3Ph	3,0	4,0	5,5	7,5
	<b>Current consumption (A)</b>	380V 3Ph	6,6	8,5	10,7	15,1